



Gennum Reclockers

Lowest power,
lowest jitter
3Gb/s solution

MULTI-RATES

Gennum's reclockers offer robust multi-standard operation from 143Mb/s to 2970Mb/s and are SMPTE 424M, 292M, 344M and 259M compliant.

LOWEST POWER

Gennum offers high performance at the industry's lowest power consumption. The GS2985 has a 55% power reduction from previous generations.

BEST INPUT JITTER TOLERANCE

Gennum's unique reclocker architectures offer the industry's best input jitter tolerance and output jitter for worry free design flexibility.

LOW OUTPUT JITTER

The GS2985 has output jitter that is 50% of the GS2975A.

IMPROVED FEATURES

The GS2985 adds input trace equalization and output signal de-emphasis, which give additional design flexibility to system designers. The serial interface allows for multiple communication methods.

SIZE

The GS2985 maintains the same size as previous generations, the GS2986 maintains the same features as the GS2985 but is 55% smaller. The GS2965 is 69% smaller than the GS2985.

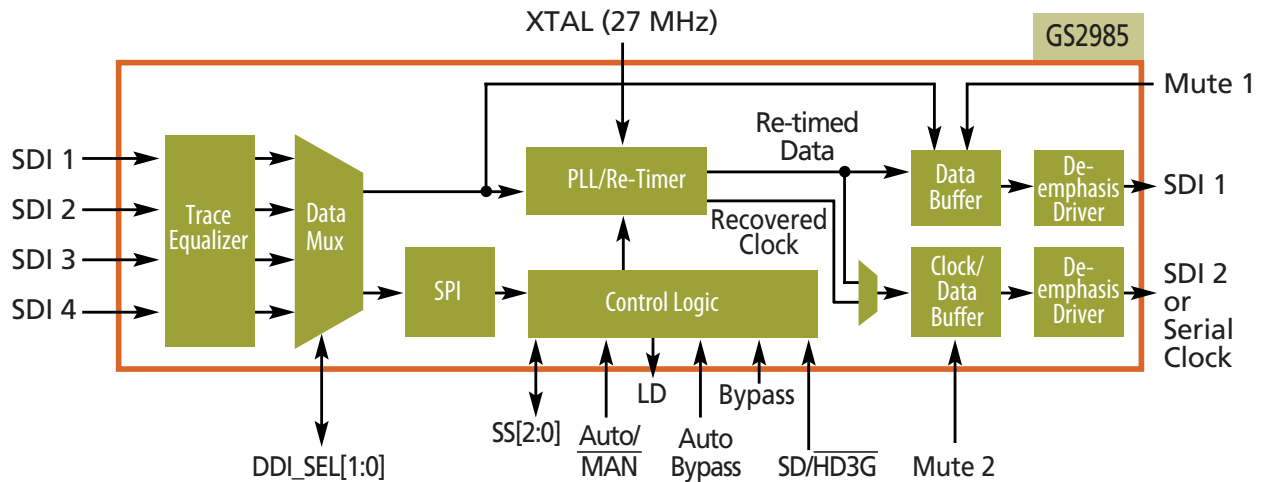


FLEXIBLE FOOTPRINT

Future proof your design by using Gennum's QFN footprint compatible parts for SD, HD, or 3Gb/s applications (GS9076, GS1575B, and GS2975A).

RELOCKERS

	GS2965	GS2985	GS2986	GS2975A	GS1575B	GS9076	GS9075B
Data Rate (Mb/s)	270, 1485, 2970	270, 1485, 2970	270, 1485, 2970	270, 1485, 2970	143, 177, 270, 360, 540, 1485	270	143, 177, 270, 360, 540
Power Supply (V)	2.5 or 3.3	2.5 or 3.3	2.5 or 3.3	3.3	3.3	3.3	3.3
Input Trace Equalization	YES	YES	YES	NO	NO	NO	NO
Output de-emphasis	YES	YES	YES	NO	NO	NO	NO
Serial Interface	YES	YES	YES	NO	NO	NO	NO
Input MUX	2 : 1	4 : 1	4 : 1	4 : 1	4 : 1	4 : 1	4 : 1
Dual Data Output	YES	YES	YES	YES	NO	YES	NO
Temp Range (°C)	-40 - 85	-40 - 85	-40 - 85	0-70	0-70	0-70	0-70
Power (mW)	180	180	180	400	645	400	645
Size (mm)	5 x 5	9 x 9	6 x 6	9 x 9	9 x 9	9 x 9	9 x 9
Package	32 QFN	64 QFN	40 QFN	64 QFN	64 QFN	64 QFN	64 QFN



LEARN MORE:

URL: WWW.GENNUM.COM

EMAIL: INFO@GENNUM.COM

PHONE: (905) 632-2996