



Gennum Equalizers

Industry's longest cable lengths and data rates up to 3Gb/s

MULTI-RATES

Gennum's equalizers offer robust multi-standard operation from 143Mb/s to 2970Mb/s even under stressful video pathological signals and are fully SMPTE 424M, 292M, 344M and 259M compliant.

LONG CABLE LENGTH - PRODUCTION TESTED

Industry's longest cable lengths: 140m at 3Gb/s, 230m at HD, and 400m at SD. All equalizers are production tested at applicable data rate and cable length.

LOWEST JITTER

Gennum continues to reduce jitter at all cable lengths and for all data rates. The GS2984 offers the industry's lowest guaranteed and production tested output jitter.

LOW POWER

Gennum offers the best performance at the lowest power consumption. The GS2984 offers an additional 10% power reduction from previous generations.

0/6dB FLAT BAND INPUT GAIN

The GS2984 has a selectable 6dB of flat band input gain. This compensates for resistive losses that may occur before the equalizer.

OUTPUT COMMON MODE SELECT

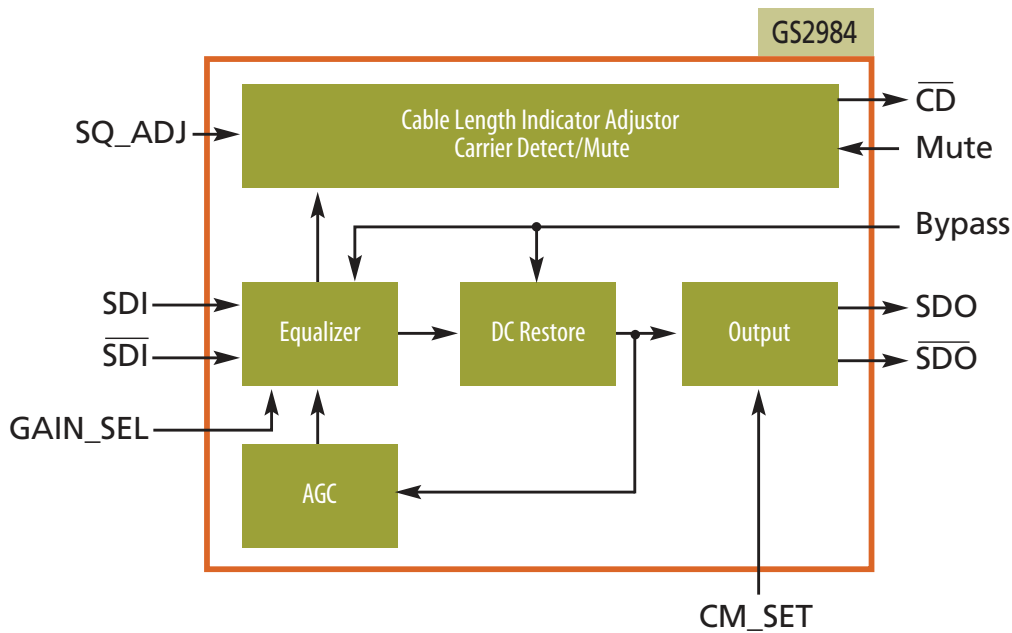
The GS2984 has an adjustable output common mode level which can be set to allow for DC coupling to either 3.3V or 2.5V CML levels.

FLEXIBLE FOOTPRINT

Future proof your design by using Gennum's QFN footprint compatible parts for SD, HD, or 3Gb/s applications (GS9074A, GS1574A, GS2974A/B, GS2984).

EQUALIZERS

	GS2984	GS2964	GS2974B	GS2974A	GS1574A	GS1524A	GS9074A
Data Rate (Mb/s)	143 - 2970	143 - 2970	143 - 2970	143 - 2970	143 - 1485	143 - 1485	143 - 360
Input 0/6dB gain	YES	NO	NO	NO	NO	NO	NO
DC coupling to 2.5V	YES	NO	NO	NO	NO	NO	NO
3G Typical Cable Length (m)	140 @ 0.3UI	100 @ 0.35UI	140 @ 0.4UI	120 @ 0.3UI	N/A	N/A	N/A
HD Typical Cable Length (m)	200 @ 0.2UI	130 @ 0.25UI	230 @ 0.3UI	200 @ 0.3UI	200 @ 0.3UI	200 @ 0.3UI	N/A
SD Typical Cable Length (m)	400	170	250	350	350	350	350
Footprint Compatible With	all 16 QFN EQs	all 16 QFN EQs	all 16 QFN EQs	all 16 QFN EQs	all 16 QFN EQs	GS9064A	all 16 QFN EQs
Temp Range (°C)	-40 - 85	-40 - 85	0 - 70	0 - 70	0 - 70	0 - 70	0 - 70
Power (mW)	195	215	215	215	215	265	215
Size (mm)	4 x 4	4 x 4	4 x 4	4 x 4	4 x 4	6 x 10	4 x 4
Package	16 QFN	16 QFN	16 QFN	16 QFN	16 QFN	16 SOIC	16 QFN



LEARN MORE:

URL: WWW.GENNUM.COM

EMAIL: INFO@GENNUM.COM

PHONE: (905) 632-2996